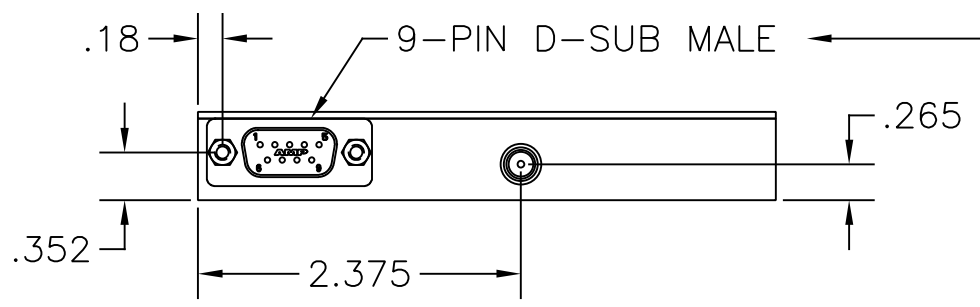
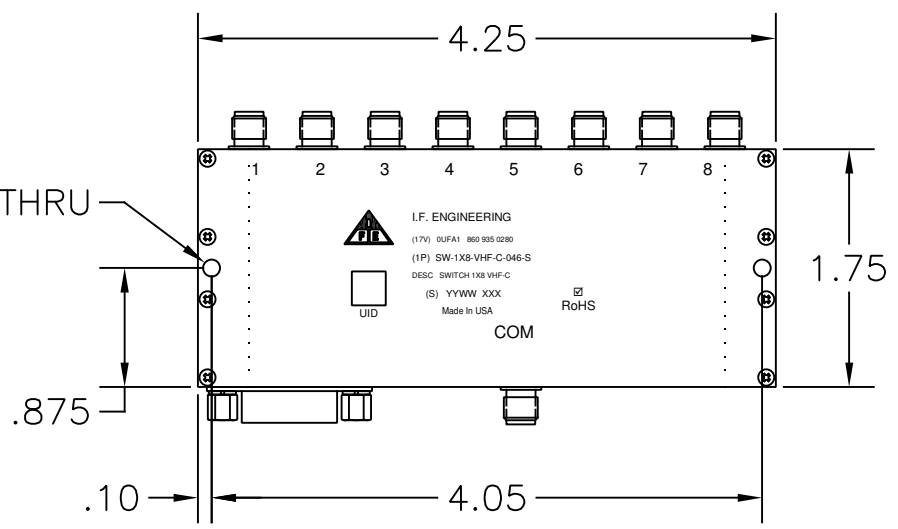
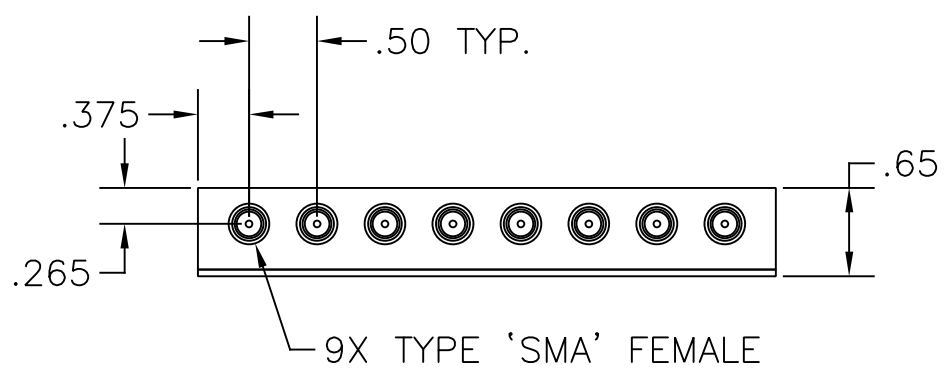
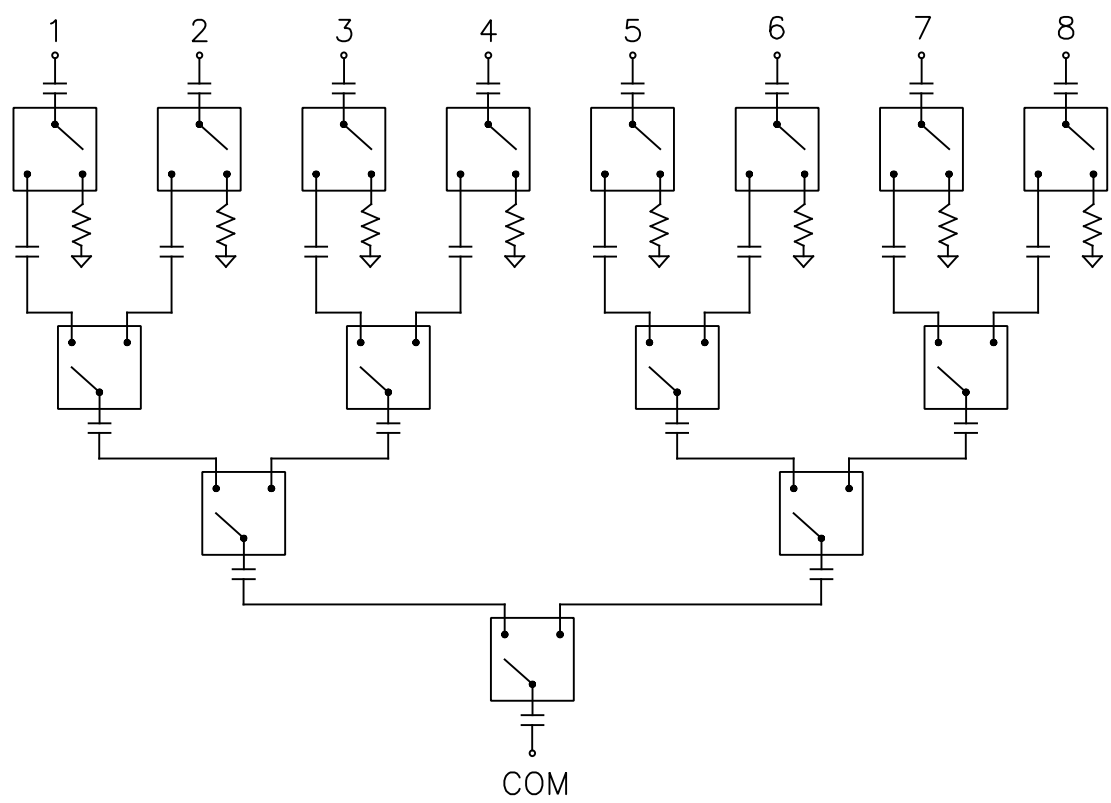


THIS DOCUMENT CONTAINS PROPRIETARY INFORMATION. ANY REPRODUCTION, DISCLOSURE, OR USE OF ITS CONTENTS IS EXPRESSLY PROHIBITED EXCEPT AS AUTHORIZED BY I.F. Engineering Corp

REVISION			
LTR.	DESCRIPTION	DATE	APPVL.
-	PRELIM3	4/4/19	MJD

FUNCTIONAL BLOCK DIAGRAM



ELECTRICAL SPECIFICATION	
FREQUENCY RANGE	20-6000 MHz
ISOLATION	55 dB TYP. (54 dB MIN.)
LOSS	6.5 dB
AMPLITUDE BALANCE	±0.4 dB
PHASE BALANCE	±15°
VSWR MAX.	
IN	1.8:1
OUT	1.8:1
IMPEDANCE NOM.	50 OHMS
1dB COMPRESSION	+30 dBm
SWITCHING SPEED MAX.	10 μSEC
SWITCHING CONTROL	TTL
INPUT POWER REQUIRED	+5VDC @ 100mA
TEMPERATURE RANGE	-25 TO +70 °C

NOTE: Control operates on Reverse Logic
(See Truth Table)

TRUTH TABLE			
STATE			PATH
D2	D1	D0	COM
1	1	1	1
1	1	0	2
1	0	1	3
1	0	0	4
0	1	1	5
0	1	0	6
0	0	1	7
0	0	0	8

PIN CONFIGURATION TABLE		
1	D0	BIT 1
2	D1	BIT 2
3	D2	BIT 3
4	NC	
5	NC	
6	NC	
7	+5	VOLTS
8	NC	
9	GND	

- NOTES:
- MATERIAL: CHASSIS & COVER ALUMINUM
 - FINISH: CLEAR CHROMATE
 - SPECIFICATION SUBJECT TO CHANGE WITHOUT NOTICE

**RoHS
Compliant**

UNLESS OTHERWISE SPECIFIED
DIMENSIONS MEASURED IN INCHES
DRAWING PRACTICES PER ASME Y14.100

TOLERANCES ANGLES ±1/2°
.XX ±.01 .XXX ±.005

MATERIAL: SEE NOTE 1

FINISH: SEE NOTE 2

DRAWN	DATE
AM	9/27/18
ENGRG APPD	DATE
AM	9/27/18
MFG APPD	DATE
QA APPD	DATE
RELEASED	DATE

IFE ENGINEERING
3 FOSHAY ROAD, DUDLEY MA 01571

TITLE
OUTLINE DRAWING
SW-1X8-VHF-C-046-S

SIZE	CODE IDENT NO.	DRAWING NO.	REV.
B	OUFA1	418-046-181	-
SCALE	N/A	SHEET	1 OF 1