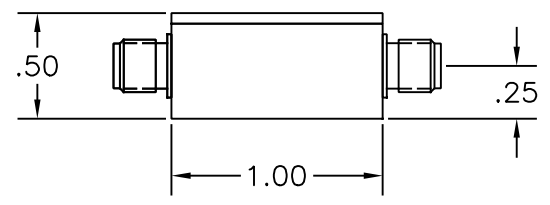
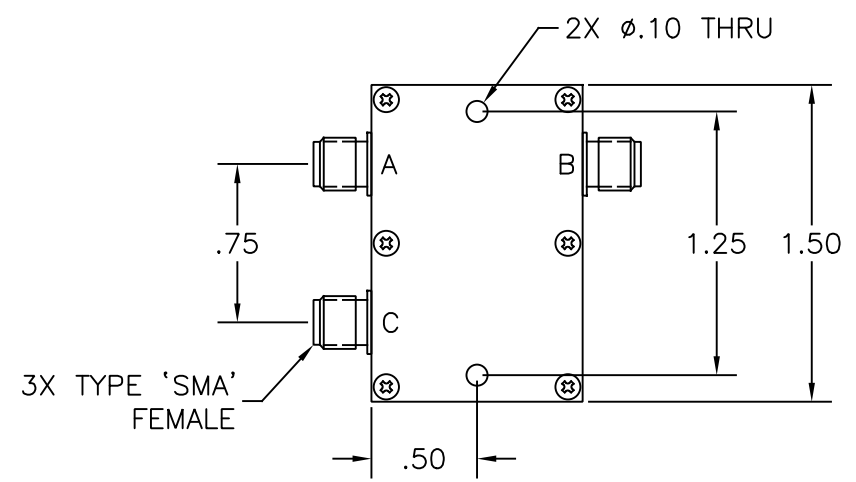
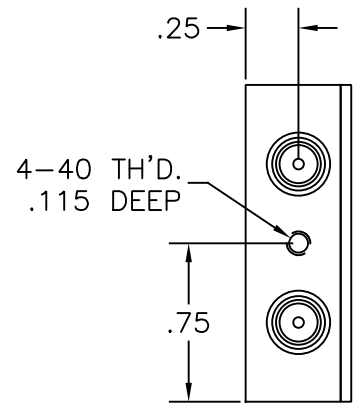


THIS DOCUMENT CONTAINS PROPRIETARY INFORMATION. ANY REPRODUCTION, DISCLOSURE, OR USE OF ITS CONTENTS IS EXPRESSLY PROHIBITED EXCEPT AS AUTHORIZED BY I.F. Engineering Corp

REVISION			
LTR.	DESCRIPTION	DATE	APPVL.
-	PRELIM	-	-

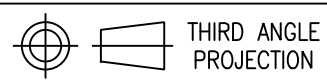


ELECTRICAL SPECIFICATION DIRECTIONAL COUPLER	
FREQUENCY RANGE (MHZ)	950-2150
COUPLING (dB) NOM.	6
COUPLING TOL. (dB) MAX.	±1.2
COUPLING VARIATION (dB) MAX.	±1.2
INSERTION LOSS (dB) MAX.	0.75
DIRECTIVITY (dB) MAX.	15
VSWR IN	1.4:1
VSWR OUT	1.4:1
VSWR COUPLED	1.6:1
IMPEDANCE (OHMS) NOM.	50
TEMPERATURE RANGE (°C)	0 TO +50

NOTE: INSERTION LOSS DOES NOT INCLUDE THEORETICAL COUPLING LOSS.

PORT	DESIG.
A	INPUT
B	OUTPUT
C	COUPLED

**RoHS  
Compliant**



DRAWN DATE  
MJD 3/9/20

UNLESS OTHERWISE SPECIFIED  
DIMENSIONS MEASURED IN INCHES  
DRAWING PRACTICES PER  
ASME Y14.100

ENGRG APPD DATE

TOLERANCES ANGLES ±1/2°  
.XX ±.01 .XXX ±.005

MFG APPD DATE

MATERIAL: SEE NOTE 1

QA APPD DATE

FINISH: SEE NOTE 2

RELEASED DATE

**I.F.E ENGINEERING**  
3 FOSHAY ROAD, DUDLEY MA 01571

TITLE  
OUTLINE DRAWING  
C3-6-LB3-S

- NOTES:
1. MATERIAL: CHASSIS & COVER ALUMINUM
  2. FINISH: CLEAR CHROMATE
  3. SPECIFICATION SUBJECT TO CHANGE WITHOUT NOTICE

SIZE	CODE IDENT NO.	DRAWING NO.	REV.
A	OUF A1	110-296-181	-
SCALE	1:1	SHEET 1 OF 1	