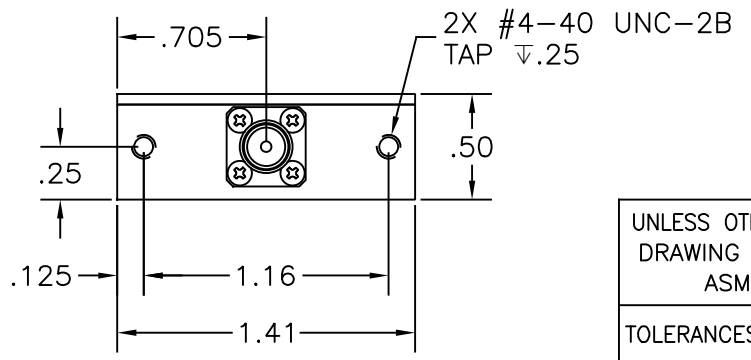
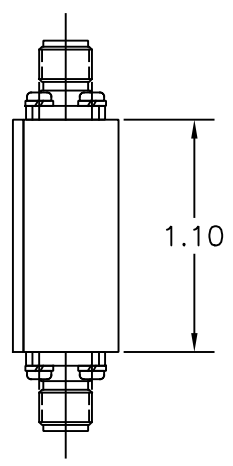
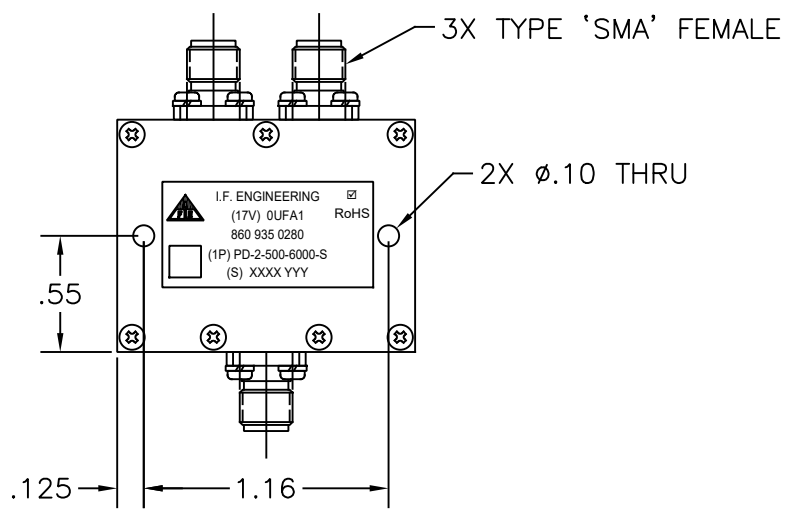
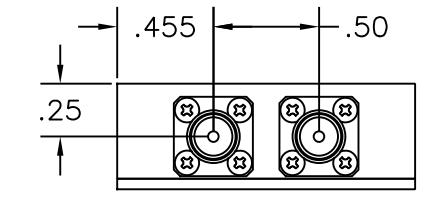


THIS DOCUMENT CONTAINS PROPRIETARY INFORMATION. ANY REPRODUCTION, DISCLOSURE, OR USE OF ITS CONTENTS IS EXPRESSLY PROHIBITED EXCEPT AS AUTHORIZED BY I.F. Engineering Corp

REVISION			
LTR.	DESCRIPTION	DATE	APPVL.
-	PRELIMINARY	-	-
1	UPDATED ELECTRICAL SPEC BLOCK	6/16/21	DR



ELECTRICAL SPECIFICATION	
TWO-WAY POWER DIVIDER	
FREQUENCY RANGE (MHZ)	500-6000
ISOLATION (dB) MIN.	11
INSERTION LOSS (dB) MAX.	1.1
AMPLITUDE BAL. (dB) MAX.	±.25
PHASE BAL. (°) MAX.	±2.5
VSWR MAX.	
IN	1.75:1
OUT	1.6:1
IMPEDANCE (OHMS) NOM.	50
TEMPERATURE RANGE (°C)	0 TO +50

RoHS Compliant

- NOTES:
1. MATERIAL: CHASSIS & COVER ALUMINUM
 2. FINISH: CLEAR CHROMATE
 3. SPECIFICATION SUBJECT TO CHANGE WITHOUT NOTICE

UNLESS OTHERWISE SPECIFIED DRAWING PRACTICES PER ASME Y14.100	DRAWN MJD	DATE 7/20/17
TOLERANCES ANGLES ±1/2° .XX ±.01 .XXX ±.005	ENGRG APPD	DATE
SURFACE ROUGHNESS $63/\checkmark$	REMOVE BURRS SHARP EDGES	MFG APPD DATE
MATERIAL: SEE NOTE 1	QA APPD	DATE
FINISH: SEE NOTE 2	RELEASED	DATE

***I F E* ENGINEERING**
3 FOSHAY ROAD, DUDLEY MA 01571

TITLE
OUTLINE DRAWING
PD-2-500-6000-S

SIZE A	CODE IDENT NO. OUFA1	DRAWING NO. 002-354-181	REV. 1
SCALE 1:1	SHEET 1 OF 1		